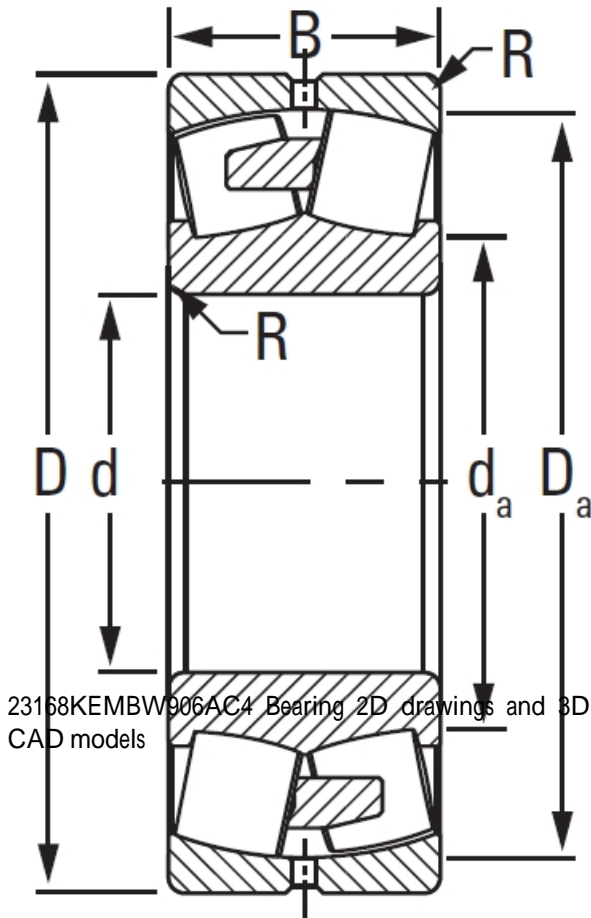




23168KEMBW906AC4 TIMKEN Tapered Roller Bearings

Bearing No. 23168KEMBW906AC4



23168KEMBW906AC4 Bearing 2D drawings and 3D CAD models

Design Unit	METRIC
Bore Taper	1/12
Bearing Weight	210.300 Kg
Cage Type	EMB
Cage Material	Brass
Superseded Part	23168KYMBW906AC4
d	340.000 mm
D	580.000 mm
B - Inner Ring Width	190 mm
B - Outer Ring Width	190.000 mm
R - Inner Ring To Clear Radius ¹	4.000 mm
r - Outer Ring To Clear Radius ²	4.000 mm
da - Inner Ring Backing Diameter	395.000 mm
Da - Outer Ring Backing Diameter	526.000 mm
C0 - Static Radial Rating	6850000 N
C1(2) - Dynamic Radial Rating (Two-Rows)	4500000 N
e - ISO Factor ³	0.3
Y0 - ISO Factor ⁴	2.22
Y1 - ISO Factor ⁵	3.3
Y2 - ISO Factor ⁶	2.17
Reference Thermal Speed Rating (Grease)	570



Xili Bearing Co., Ltd

Reference Thermal Speed Rating (Oil) ⁷	630
Cg - Geometry Factor ⁸	0.1383