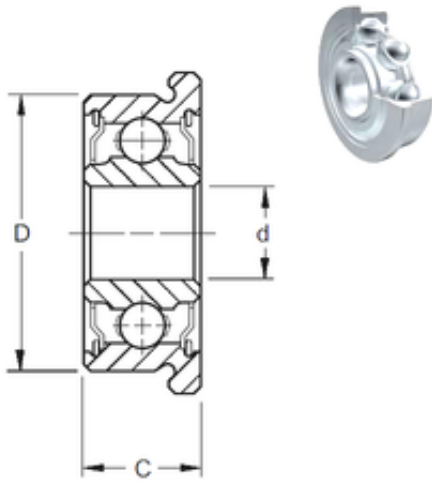




Xili Bearing Co., Ltd



7 mm x 11 mm x 3 mm ZEN SMF117-2Z deep groove ball bearings

Bearing No. SMF117-2Z

Size	7x11x3 mm
Bore Diameter	7 mm
Outer Diameter	11 mm
Width	3 mm
d	7 mm
D	11 mm
B	3 mm
C	3 mm
Basic dynamic load rating (C)	0,455 kN
Basic static load rating (C0)	0,202 kN

SMF117-2Z Bearing 2D drawings and 3D CAD models