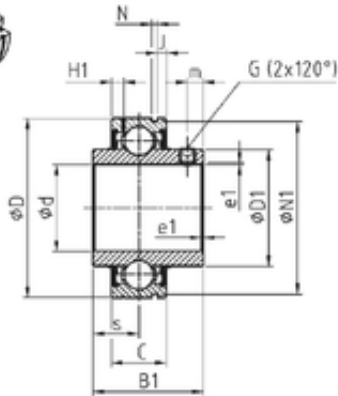




Xili Bearing Co., Ltd



44,45 mm x 85 mm x 49.2 mm SNR
CUC209-28 deep groove ball bearings

Bearing No. CUC209-28

Size	44.45x85x22 mm
Bore Diameter	44,45 mm
Outer Diameter	85 mm
Width	22 mm
d	44,45 mm
D	85 mm
B1	49,2 mm
C	22 mm
e	1,1 mm
a	3,96875 mm
m	8 mm
s	19 mm
D1	57,2 mm
H1	5,1 mm
J	3,5 mm
N	1,9 mm
N1	81,81 mm
Thread (G) - 5/16-24UNF	5/1624UNF
Weight	0,7 Kg
Basic dynamic load rating (C)	31,85 kN
b	1.9 mm
B	49.2 mm
C1	5.1 mm
G	5/16-24UNF
r	1.1

CUC209-28 Bearing 2D drawings and 3D CAD models



Xili Bearing Co., Ltd

S	19 mm
SW	3.97 mm
C0	20.8 kN
T min.	-20 ° C
T max.	100 ° C
Recommended tightening torque for set screw	8 Nm