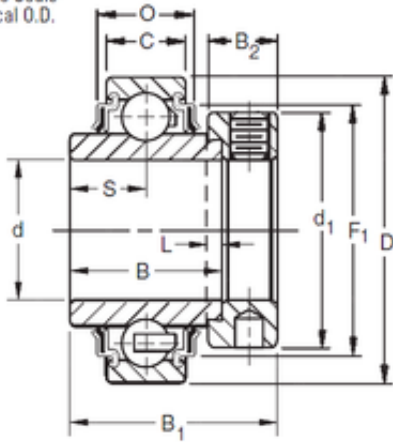




# Xili Bearing Co., Ltd

KRR Two Seals  
Cylindrical O.D.



30,1625 mm x 62 mm x 36,51 mm Timken  
1103KRR deep groove ball bearings

Bearing No. 1103KRR

Size	30.1625x62x36.51 mm
Bore Diameter	30,1625 mm
Outer Diameter	62 mm
Width	36,51 mm
d	30,1625 mm
D	62 mm
B	36,51 mm
C	16 mm
P	17,78 mm
O	19,56 mm
d1	44,4 mm
B1	48,4 mm
B2	15,9 mm
L	4 mm
S	18,3 mm
F1	52,53 mm
Weight	0,376 Kg
Basic dynamic load rating (C)	21,2 kN

1103KRR Bearing 2D drawings and 3D CAD models