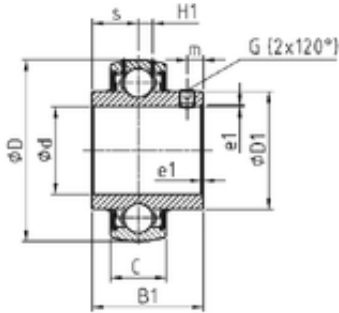




# Xili Bearing Co., Ltd



UC307-23 Bearing 2D drawings and 3D CAD models

## SNR UC307-23 deep groove ball bearings

Bearing No. UC307-23

Size	36.5125x80x25 mm
Bore Diameter	36,5125 mm
Outer Diameter	80 mm
Width	25 mm
d	36,5125 mm
D	80 mm
B1	48 mm
C	25 mm
e	2 mm
a	3,96875 mm
m	8 mm
s	19 mm
D1	48,9 mm
H1	7,2 mm
Thread (G) - 5/16-24UNF	5/1624UNF
Weight	0,7 Kg
Basic dynamic load rating (C)	33,5 kN