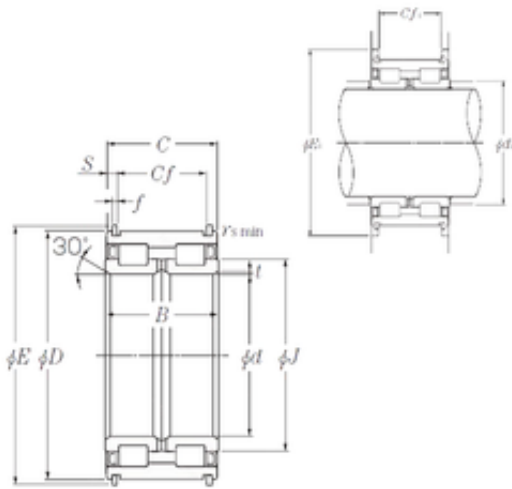




Xili Bearing Co., Ltd

90 mm x 140 mm x 67 mm NTN SL04-5018NR cylindrical roller bearings



Bearing No. SL04-5018NR

SL04-5018NR Bearing 2D drawings and 3D CAD models

Size	90x140x67 mm
Bore Diameter	90 mm
Outer Diameter	140 mm
Width	67 mm
d	90 mm
D	140 mm
B	67 mm
C	66 mm
E1	165 mm
t	1,5 mm
f	2,5 mm
r min.	0,6 mm
E	146,3 mm
J	110 mm
S	6 mm
da	96 mm
Cf	54 mm
Cf1	54 mm
Weight	3,71 Kg
Basic dynamic load rating (C)	305 kN
Basic static load rating (C0)	540 kN
Category	Roller Bearings
Inventory	0.0
Manufacturer Name	NTN
Minimum Buy Quantity	N/A



Xili Bearing Co., Ltd

Weight / Kilogram	3.748
EAN	4547359185744
Product Group	B04144