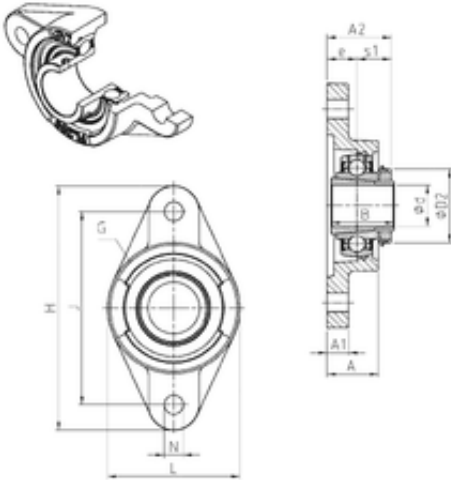




Xili Bearing Co., Ltd



SNR UKFL308H bearing units

Bearing No. UKFL308H

Bore Diameter	35 mm
d	35 mm
e	23 mm
s1	27,5 mm
A	40 mm
A1	17 mm
B	46 mm
D2	58 mm
H	200 mm
J	158 mm
L	112 mm
N	23 mm
Thread (G)	M6x1
A2	50,5 mm
Weight	2,3 Kg
Basic dynamic load rating (C)	40,56 kN

UKFL308H Bearing 2D drawings and 3D CAD models