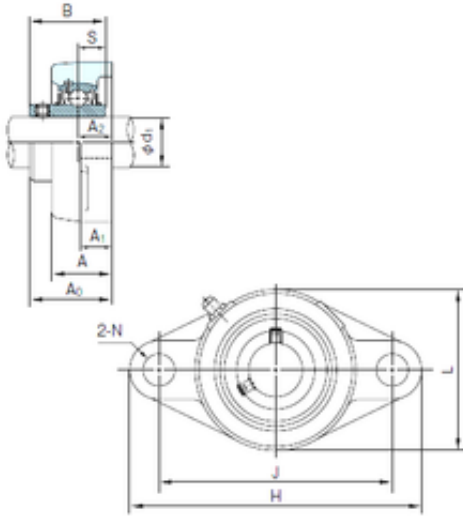




Xili Bearing Co., Ltd



NACHI UCFL322 bearing units

Bearing No. UCFL322

Bore Diameter	110 mm
d1	110 mm
A0	131 mm
A	96 mm
A1	42 mm
B	117 mm
H	470 mm
J	390 mm
L	300 mm
L1	305 mm
N	44 mm
S	46 mm
Bolt (G)	M39
A2	60 mm

UCFL322 Bearing 2D drawings and 3D CAD models