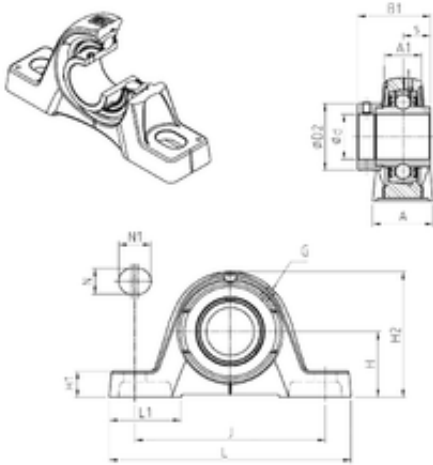




SNR EXPE215 bearing units

Bearing No. EXPE215



EXPE215 Bearing 2D drawings and 3D CAD models

Bore Diameter	75 mm
d	75 mm
s	37,3 mm
A	66 mm
A1	48 mm
B1	92,1 mm
D2	102 mm
H	82,5 mm
H1	27,5 mm
H2	164 mm
J	210 mm
L	265 mm
L1	78 mm
N	22 mm
N1	30 mm
Thread (G)	R1/8"
Weight	7,5 Kg
Basic dynamic load rating (C)	66 kN