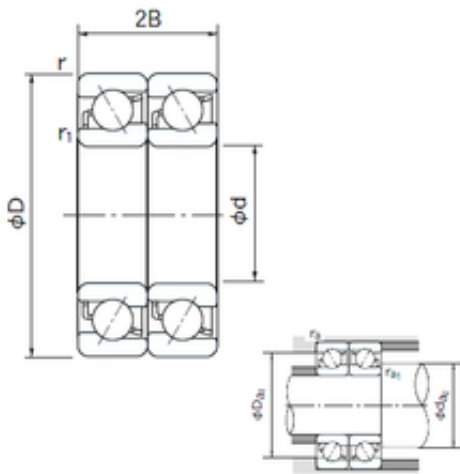




Xili Bearing Co., Ltd



45 mm x 75 mm x 16 mm NACHI 7009CDT angular contact ball bearings

Bearing No. 7009CDT

7009CDT Bearing 2D drawings and 3D CAD models

Size	45x75x16 mm
Bore Diameter	45 mm
Outer Diameter	75 mm
Width	16 mm
d	45 mm
D	75 mm
B	16 mm
C	16 mm
Angle (°)	15 °
a -	1.1 mm
r min.	1 mm
r1 min.	0.6 mm
2B	32 mm
da min.	50 mm
Da max.	72 mm
ra max.	0.6 mm
Weight	0.265 Kg
Basic dynamic load rating (C)	40 kN
Basic static load rating (C0)	39 kN
(Grease) Lubrication Speed	10000 r/min
Bore Type	Cylindrical Bore
Enclosure	Open
Configuration	Duplex
Bore Size	45 mm
Outside Diameter	75 mm



Xili Bearing Co., Ltd

Width	16 mm
Fillet Radius/Chamfer	1 mm
r1	0.6 mm
Dynamic Load Rating	40,000 N
Static Load Rating	39,000 N
Limiting Speed - Grease	10,000 rpm
Limiting Speed - Oil	14,000 rpm
da1 (min)	50 mm
da2 (min)	50 mm
Da1 (max)	70 mm
Da2 (max)	72 mm
ra (max)	1 mm
ra1 (max)	0.6 mm