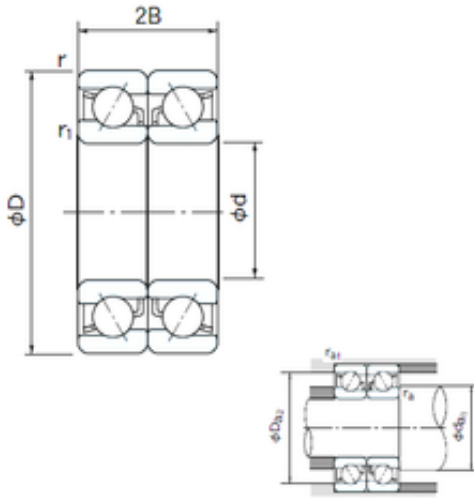




Xili Bearing Co., Ltd

30 mm x 62 mm x 16 mm NACHI 7206BDB angular contact ball bearings



Bearing No. 7206BDB

7206BDB Bearing 2D drawings and 3D CAD models

Size	30x62x16 mm
Bore Diameter	30 mm
Outer Diameter	62 mm
Width	16 mm
d	30 mm
D	62 mm
B	16 mm
C	16 mm
Angle (°)	40 °
a	11.3 mm
r min.	1 mm
r1 min.	0.6 mm
2B	32 mm
da min.	33 mm
Da max.	58.4 mm
ra max.	0.6 mm
Weight	0.210 Kg
Basic dynamic load rating (C)	34,5 kN
Basic static load rating (C0)	27,9 kN
(Grease) Lubrication Speed	7000 r/min
Bore Type	Cylindrical Bore
Enclosure	Open
Configuration	Duplex
Bore Size	30 mm
Outside Diameter	62 mm



Xili Bearing Co., Ltd

Width	16 mm
Fillet Radius/Chamfer	1 mm
r1	0.6 mm
Dynamic Load Rating	34,500 N
Static Load Rating	27,900 N
Limiting Speed - Grease	7,000 rpm
Limiting Speed - Oil	9,500 rpm
da1 (min)	36 mm
da2 (min)	33 mm
Da1 (max)	56 mm
Da2 (max)	58.4 mm
ra (max)	1 mm
ra1 (max)	0.6 mm