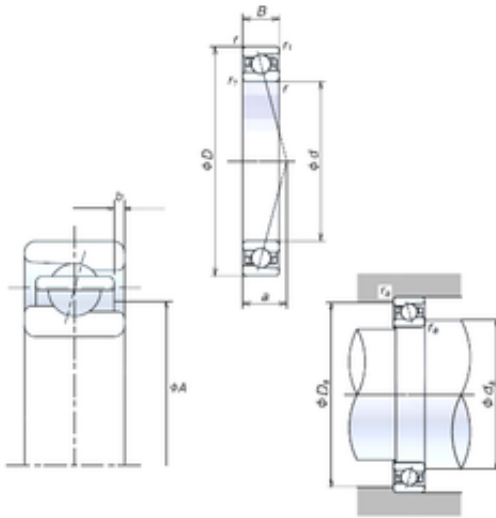




Xili Bearing Co., Ltd

100 mm x 150 mm x 24 mm NSK 100BNR10X
angular contact ball bearings

Bearing No. 100BNR10X



100BNR10X Bearing 2D drawings and 3D CAD models

Size	100x150x24 mm
Bore Diameter	100 mm
Outer Diameter	150 mm
Width	24 mm
d	100 mm
D	150 mm
B	24 mm
C	24 mm
Angle (°)	18 °
a	32,3 mm
b	1,7 mm
r min.	1,5 mm
r1 min.	1 mm
A	118,5 mm
da min.	109 mm
Da max.	141 mm
ra max.	1,5 mm
Weight	1,253 Kg
Basic dynamic load rating (C)	36 kN
Basic static load rating (C0)	36 kN
(Grease) Lubrication Speed	16800 r/min